



AMC-G310
AMC-G312
AMC-G320

This new PTZ camera implements the latest cpu and sensor to output high quality images through its various interfaces, making it a perfect camera for different applications.

HD Camera

- * 1/2.8" CMOS, 2.14MP, excellent 1080P video quality
- * Quick focus to ensure superb clarity
- * High color reproduction, presenting real and vivid color with more details
- * Maximum 320x zoom



Rich Interfaces

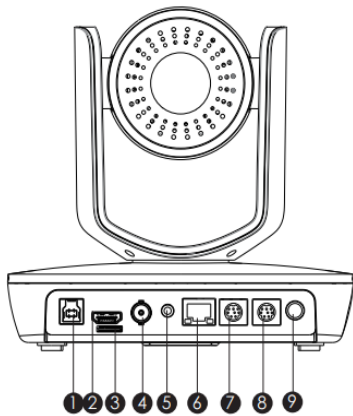
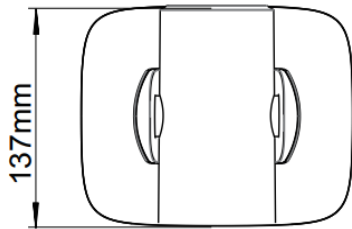
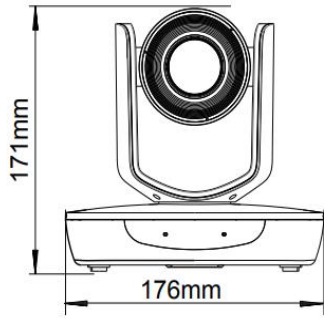
- * HDMI, USB3.0, 3G-SDI, and Ethernet video outputs
- * RS232 in and RS232 out, daisy chain ready

Compact Design

- * Small sized design, easy for installation
- * Compact remote control with comfortable user experience



Dimensions



- | | |
|-----------|-------------|
| ① USB3.0 | ⑥ Ethernet |
| ② HDMI | ⑦ RS-232IN |
| ③ TF Card | ⑧ RS-232OUT |
| ④ 3G-SDI | ⑨ DC12V |
| ⑤ Audio | |

Technical Data

Model	AMC-G310	AMC-G312	AMC-G320
Image Sensor	1/2.8" CMOS, 2.14MP		
Focal Lens	4.3mm - 43mm	4.14mm - 47.08mm	4.7mm - 94mm
Iris	F1.6 - F3.0	F1.6 - F2.8	F1.6 - F3.5
Field of View	69° - 8°	72.5° - 6.3°	59.5° - 2.9°
Optical Zoom	10X	12X	20X
Digital Zoom	16X		
Focal System	Auto, Manual, PTZ Trigger, One Push Trigger		
Exposure Control	Auto, Manual, Shutter Priority, Iris Priority, Bright Priority		
Min.Illumination	1.0Lux		
Shutter Speed	1/50 - 1/10,000s		
Gain	Auto, Manual		
White Balance	Auto, One Push, Manual, ATT, Static Color Temperature		
WDR	Yes		
BLC	Yes		
S/N	Above 50dB		
PTZ			
Pan Angle	-170° - +170°		
Tilt Angle	-30° - +90°		
Pan Speed	0.1° - 120°/s		
Tilt Speed	0.1° - 90°/s		
Image Flip	Yes		
Preset Number	256		
Interface			
HDMI	1 x HDMI Video Output: 1080P60/50/30/25, 720P60/50/30/25, 480P60/50		
Network	1 x RJ45: 1 x 10M/100M RJ45(POE supported) 1. Video output format: max 1080P60 2. Image compression : H.264/H.265 3. Protocols: ONVIF/RTSP/RTMP/TCP/UDP 4. Audio compression: AAC 5. Support dual streams 6. Optional NDI 1 x USB3.0 1. Support UVC1.1 2. Video format support H.264/H.265/MJPEG, video resolution:1080P60/50/30/25, 720P60/50/30/25 Support YUY2/NV12, video solution: 1080P30/25, 720P30/P25 3. UVC Audio format PCM		
3G-SDI	1 x 3G-SDI, video format: 1080P60/50/30/25, 720P60/50/30/25		
Audio Input	1 x LINE IN, 3.5mm		
Control Interface	1 x RS232 In, 1 x RS232 Out/RS485		
Storage Interface	Max. 256G		
General			
Protocols	VISCA(support daisy chain) / PELCO-P / PELCO-D		
Power	DC12V		
Power Consumption	Below 15W		
Operating Environment	Temperature: 0°C - +40°C, Relative Humidity: 10%RH - 90%RH		
Storage Environment	Temperature: -20°C - +60°C, Relative Humidity: 10%RH - 95%RH		
Dimensions	176mm x 137mm x 171mm(WxHxD)		
Weight	1.2kg		

Contact Us

- ☎ 86-755-26007301
- ✉ sales@winsafecctv.com
- 🌐 www.winsafecctv.com
- 📍 316, B of jinyuan
Business Building,
Bao'an, Shenzhen, China

Product specification are subject to change without notice